

85 GALLON OPENHEAD STEEL DRUM

322 Liter Steel Drum

TARGET MARKET

Customer with leaking containers.

Securely overpacks containers up to 208 Liters

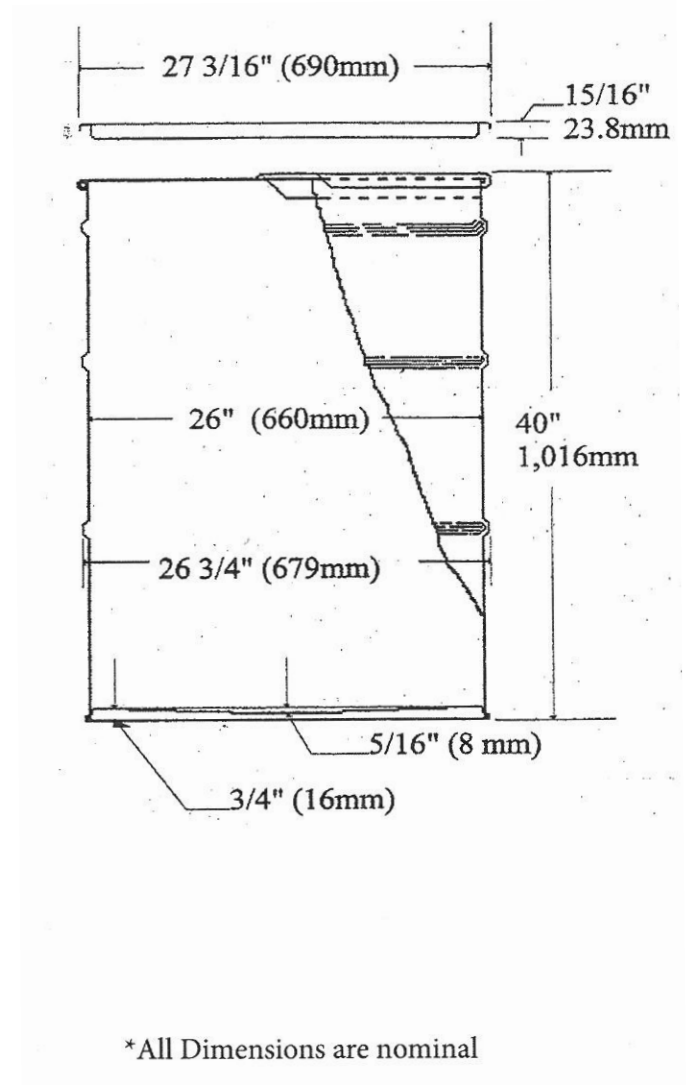
PRODUCT FEATURES

- Available in the following steel thicknesses:

- 1.2/.9/1.2
- All 1.2 (18g)
- All 1.4 (16g)
- UN Performance Rated

TECHNICAL

It is the responsibility of the packager/ shipper, not the container manufacturer, to determine the proper packaging specification for each lading. The shipper may request a certificate of conformance from the manufacturer to demonstrate that each container conforms with the performance testing provisions in 49 CFR 178.600



Pacific Northwest

8435 NE Killingsworth St
Portland, OR 97220

Southern California

21508 Ferrero Parkway #B
City of Industry, CA 91789